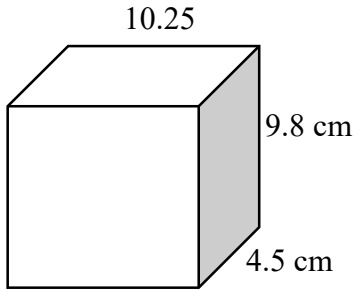


Math Worksheet

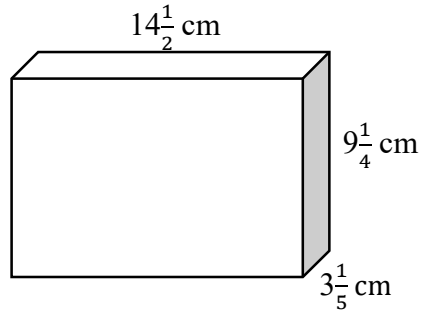
Volume of Cubes and Rectangle Prisms

~~✎~~ Find the volume of each of the rectangular prisms.

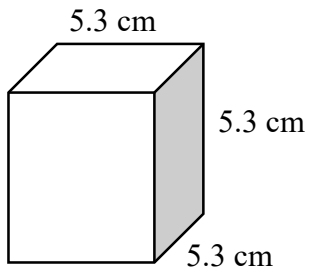
1)



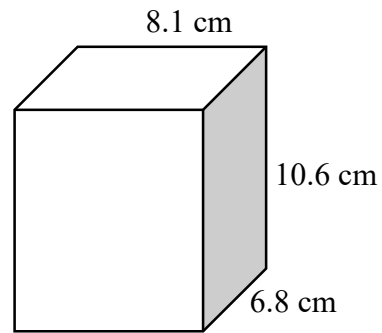
2)



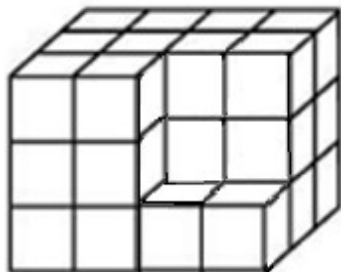
3)



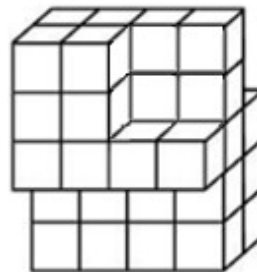
4)



5)



6)



Answers of Worksheets

Volume of Cubes and Rectangle Prisms

1) 452.025 cm^3

3) 148.877 c m^3

5) 32

2) 429.2 cm^3

4) 583.848 cm^3

6) 40